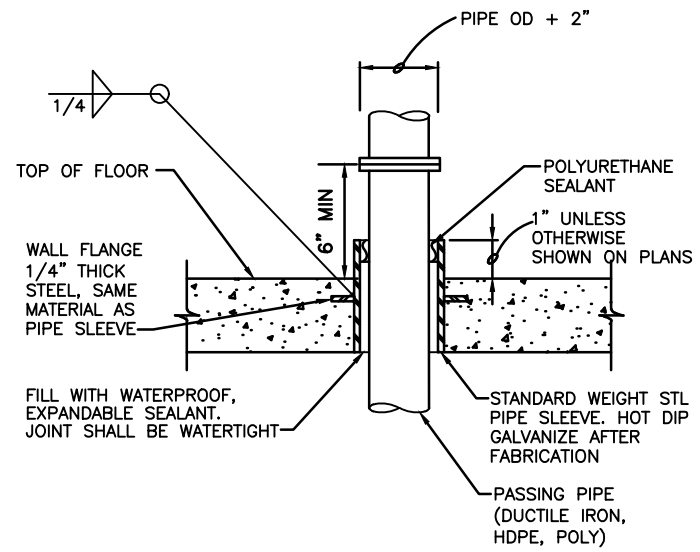


PLAN VIEW



SECTION VIEW

REV.	DATE	BY	DESCRIPTION
0	12/11/15	TSC	ORIGINAL DETAIL



SUMMIT WATER
DISTRIBUTION COMPANY

FLOOR / WALL
PENETRATION

STD. DWG. NO.

17