

SET LID AND CONCRETE PAD  
1/4" BELOW GRADE IN PAVE-  
MENT OR SHOULDER AND 2"  
ABOVE GRADE ELSEWHERE

CAST IRON LID  
MARKED "WATER"

24" DIA. CONCRETE  
COLLAR 4" THICK

FINISHED GRADE

VALVE BOX SHALL BE  
CENTERED AND PLUMB OVER  
OPERATING NUT.

TYLER 6855 SERIES  
TWO PIECE SLIDE TYPE  
CAST IRON VALVE BOX

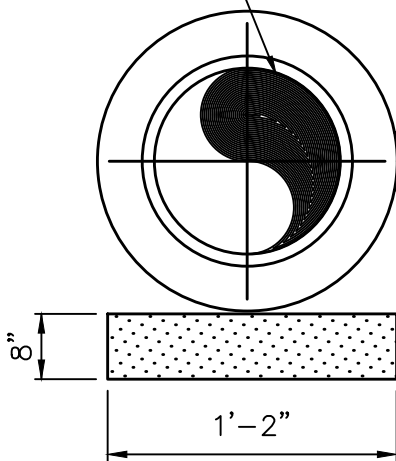
4" DIA. CENTERING RING

BOLT EXTENTION  
ROD TO VALVE


1 1/4" DIA. SOLID STEEL EXTENTION  
ROD REQ'D W/2" SQ. OPERATING  
NUT SET 2' BELOW FINISHED  
GRADE WHEN VALVE OPERATING  
NUT IS OVER 3'-6" BELOW  
FINISHED GRADE

AWWA C504 DIRECT  
BURY BUTTERFLY VALVE

GEAR OPERATOR



CONCRETE FOUNDATION

<b>REV. NO.</b>	<b>PREPARED BY:</b>	<b>SUMMIT WATER DISTRIBUTION CO.</b>	<b>STANDARD DWG. NO.</b>
1. 9/11/97 2. 12/31/15	 <b>Bowen Collins &amp; Associates, Inc.</b> CONSULTING ENGINEERS	<b>BURIED BUTTERFLY VALVE DETAIL</b>	<b>6</b>